

# Fan Accessories

## Backdraft Damper - Spring Close



- Backdraft damper for circular ducts
- Two spring loaded blades formed from aluminum H14
- 24 GA, G90 galvanized steel casing, 3/32" diameter brass central rod, stainless steel torsion spring, EPBM synthetic rubber gasket
- Can be vertically mounted

Diameter	Length	Brand	Part Number
4"	3 3/4"	Fantech	<b>RSK4</b>
5"	3 1/8"	Fantech	<b>RSK5</b>
6"	3 1/8"	Fantech	<b>RSK6</b>
8"	3 1/8"	Fantech	<b>RSK8</b>
10"	3"	Fantech	<b>RSK10</b>
12"	3"	Fantech	<b>RSK12</b>

## Flexible Ducting - Insulated Black Jacket



- Polyester Core
- Black Polyethylene Jacket
- R4.2 Insulation thermal value
- UL / cUL 181 listed as a Class 1 air duct

Description	Brand	Part Number
4" x 25' Residential Type Insulated Ducting	Dundas Jafine	<b>XPC425</b>
5" x 25' Residential Type Insulated Ducting	Dundas Jafine	<b>XPC525</b>
6" x 25' Residential Type Insulated Ducting	Dundas Jafine	<b>XPC625</b>
8" x 25' Residential Type Insulated Ducting	Dundas Jafine	<b>XPC825</b>

## Flexible Ducting - Insulated Silver Jacket



- Metalized, tear resistant silver jacket is UV and fire resistant
- Formaldehyde free, energy efficient fiberglass insulation
- Inner core has double wall, 2 ply lamination of high density black polyester film constructed with corrosion resistant, galvanized wire
- Can be installed in place of galvanized pipe
- Glass fiber insulation reduces heat loss and condensation
- Tear resistant silver jacket with reinforced scrim
- Ideal for attic installations
- UL / cUL 181 listed as a Class 1 air duct
- Code Compliance: UL 181, NFPA 90A & 90B, BOCA, ICBO, SBBCC, HUD/FHA MIN. Property STD.

Description	Brand	Part Number
4" x 25' Insulated Ducting	Dundas Jafine	<b>SPC425</b>
5" x 25' Insulated Ducting	Dundas Jafine	<b>SPC525</b>
6" x 25' Insulated Ducting	Dundas Jafine	<b>SPC625</b>

## Flexible Ducting - 2 Ply Grey Vinyl



- Ideal for general purpose exhaust applications including bathroom fan venting and surface mounted humidifier units
- Should not be used for dryer venting applications

Description	Brand	Part Number
4" x 25' Vinyl Ducting	Dundas Jafine	<b>GFD425</b>
5" x 25' Vinyl Ducting	Dundas Jafine	<b>GFD525</b>
6" x 25' Vinyl Ducting	Dundas Jafine	<b>GFD625</b>

# Fan Accessories

## Collars



Description	Brand	Part Number
4"/5" Plastic Mounting Collar	Fantech	410774
5"/6" Plastic Mounting Collar	Fantech	410773



## Grilles



Description	Brand	Part Number
4" Adjust-A-Vent Whisper Grille	Primex	WG401
5" Adjust-A-Vent Whisper Grille	Primex	WG501
6" Adjust-A-Vent Whisper Grille	Primex	WG601
8" Adjust-A-Vent Whisper Grille	Primex	WG801



## Sheet Metal Adapters



- "Y" adapter for circular duct
- Constructed of galvanized sheet metal

Description	Brand	Part Number
4" x 4" x 4" Y Connection	Fantech	FY4
5" x 5" x 5" Y Connection	Fantech	FY5



## Squeeze Elbow



- Quick rough-in
- Easy installation
- Connect to the 4" duct pipe which is installed inside wall

Description	Brand	Part Number
4" x 90° Plastic stack hood elbow	Primex	EB4X90



# Fan Accessories

## Fresh Air Intakes with Molded Screen



- Allow fresh air to enter the home
- Come complete with a 1/4" galvanized screen to keep unwanted pests out
- Ideal for make-up air for fireplaces, high efficiency furnaces & HRV applications

Description	Brand	Part Number
4" White Air Intake with Molded Screen	Dundas Jafine	INT4Z
5" White Air Intake with Molded Screen	Dundas Jafine	INT5X
6" White Air Intake with Molded Screen	Dundas Jafine	INT6X

## Vent Hoods - Louvered Style



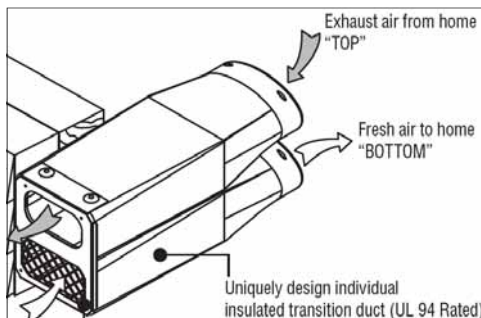
- Ideal for exhausting clothes dryers and exhaust fans
- 5" & 6" hoods ideal for HRV and commercial applications

Description	Brand	Part Number
4" White Vent Hood	Dundas Jafine	LPVB4Z
5" White Vent Hood with Molded Screen	Dundas Jafine	LPVB5E
6" White Vent Hood with Molded Screen	Dundas Jafine	LPVB6E

## Vent Hood - HRV Vent Hood Kit



- Low profile 2 in 1 ventilation hood
- Single port 7 1/16" x 8 1/16" to exterior wall
- Insulated transition duct connections (R 4, 0/UL 94 Rated)
- Simple & easy to install
- Oval 6" diameter connections
- Design for optimum airflow & minimum cross-contamination
- Residential or condo applications
- Durable powder coated white galvanize metal
- Screen design prevents birds & rodents from entering
- 100% UV Resistant
- Maximum efficiency



Description	Brand	Part Number
Includes 2 insulated transitions, 1 vent cap, 1 face plate, 1 connector plate, 2 tie wraps, 8 #10 x 5/8" screws, 3 #10 x 2" screws, 1 screen mesh, 4 vinyl panel retainers	Fantech	413640

