

Zoning Kits & Panels - Conventional

Conventional Zoning - TrueZONE® - 1H/1C



HZ311K

- For conventional, single stage applications up to 3 zones
- Universal application
- Robust push terminals
- Common sense LED's
- Clean, professional installation
- Smaller footprint
- Variable speed fan control

Stages	# of Zones	Network Zoning	LED's	Heat Pump Compatible	Emergency Heat Switch	Brand	Part Number
1 Heat 1 Cool	3	No	Yes	No	No	Honeywell	
TrueZONE® Kit Includes: HZ311 Panel, C7735A1000 Discharge Air Temperature Sensor and AT140A1042 Transformer							HZ311K
TrueZONE® Panel Only							HZ311

Zoning Kits & Panels - Conventional

Conventional Zoning - TrueZONE® - 2H/2C



HZ322K

- For conventional & heat pump applications up to 3 zones
- Intuitive installer setup, easy to follow digital display
- Universal application
- Standard checkout procedure
- Robust push terminals
- Common sense LED's
- Clean, professional installation
- Smaller footprint
- Variable speed fan control
- Discharge air temperature staging

Stages	# of Zones	Network Zoning	LED's	Heat Pump Compatible	Emergency Heat Switch	Brand	Part Number
2 Heat 2 Cool	3	No	Yes	Yes	Yes	Honeywell	
TrueZONE® Kit Includes: HZ322 Panel, C7735A1000 Discharge Air Temperature Sensor and AT140A1042 Transformer							HZ322K
TrueZONE® Panel Only							HZ322

Conventional Zoning - TrueZONE® - 3H/2C - Expandable



HZ432K

- For conventional & heat pump or dual fuel applications expandable up to 32 zones
- Expandable using TotalZone® Add-A-Zone panel(s) - Controls up to 32 zones (see next page)
- Intuitive installer setup, easy to follow digital display
- Universal application
- Standard checkout procedure
- Robust push terminals
- Common sense LED's
- Clean, professional installation
- Smaller footprint
- Variable speed fan control
- Discharge air temperature staging
- Advanced dual fuel operation

Stages	# of Zones	Network Zoning	LED's	Heat Pump Compatible	Emergency Heat Switch	Brand	Part Number
1 Heat 1 Cool	3	No	Yes	Yes	Yes	Honeywell	
TrueZONE® Kit Includes: HZ432 Panel, C7735A1000 Discharge Air Temperature Sensor and AT140A1042 Transformer							HZ432K
TrueZONE® Panel Only							HZ432



Zoning Kits & Panels - Conventional

Conventional Zoning - TotalZone® - 3H/2C - Expandable



TZ-4K

- 4 zone panel designed to provide first call changeover from any zone thermostat
- For most HVAC systems including single-stage and up to 3 stages of heating and 2 stages of cooling and heat pump
- Dual-fuel logic for add-on heat pump applications
- Expandable using TotalZone® Add-A-Zone panel(s) - Controls up to 32 zones (see below)
- Uses Honeywell four wire thermostat to control any equipment
- Controls additional stages of heating and cooling base on: Time (adjustable from 5 to 60 minutes) and percent of zones calling
- Built-in Emergency Heat Switch eliminates need for expensive heat pump thermostat on each zone. Zone-A-Lone® allows zone 1 thermostat to set back all zones during unoccupied periods.
- LED's indicate system status
- Adjustable stage control timer and purge timings
- Adjustable heating and cooling temperature limits
- Automatic zone changeover & individual zone fan control
- Compatible with supply air sensor and discharge air temperature sensor

Stages	# of Zones	Network Zoning	LED's	Heat Pump Compatible	Emergency Heat Switch	Brand	Part Number
3 Heat 2 Cool	4	No	Yes	Yes	Yes	Honeywell	
TotalZone® Kit Includes: TZ-4 Panel, C7735A1000 Discharge Air Temperature Sensor and AT140A1042 Transformer							TZ-4K
TotalZone® Panel Only							TZ-4

Conventional Zoning - TotalZone® Add-A-Zone



- Zone panel used to add 1 to 4 zones to TZ-4 & HZ432 panels
- Use multiple TAZ-4 Control Panels to control up to 32 zones. Note: For every TAZ-4 panel used a transformer must be used as well (#AT140A1042)
- Individual fan control

Stage s	# of Zones	Network Zoning	LED's	Heat Pump Compatible	Emergency Heat Switch	Brand	Part Number
3 Heat 2 Cool	4	No	Yes	Yes	No	Honeywell	TAZ-4

Honeywell

Zoning Kits & Panels - EnviraCOM™ 3 Wire Control

Networked Zoning - EnviraZone® - Expandable



The most advanced and easiest to install zoning system in the industry!

- Advanced zoning control system using the EnviraCom™ communications protocol. Control algorithm reduces and regulates plant cycles, decreases damper cycles and increases efficiency.
- Compatible with conventional gas, oil, electric or heat pump systems up to 3H/2C
- Creates a networked zoning system when combined with three TH9421C IAQ Programmable Thermostats
- Expandable to nine zones with additional W8703 Damper Interface Modules and thermostats
- Single network can use up to nine TH9421C thermostats and two W8703 Damper Interface Modules
- Unsurpassed ease of wiring with only three wires to connect between devices
- True communicating system using standard thermostat wire
- Networked zoning enables three features: Time synchronization, shared filter indication & outdoor temperature display in all zones with only one C7089U outdoor temperature sensor connected
- Vacation hold in all zones
- Selectable high and low equipment protection settings
- Adjustable stage timing, purge timing and damper positions
- Uses Zone of Greatest Demand Intelligence
- Use EnciraCom furnace board or traditional furnace boards
- Optional use of 2 transformers for powering multiple dampers
- Telephone access when used with optional W8735D Telephone Access Module

Stages	# of Zones	Network Zoning	LED's	Heat Pump Compatible	Emergency Heat Switch	Brand	Part Number
3 Heat 2 Cool	3	Yes	Yes	Yes	Yes	Honeywell	W8835A1004

Networked Zoning - EnviraZone® System Saver Kits - 2 & 3 Zone



- For conventional heating and air conditioning systems
- System and Zone LED's indicate system status
- Automatic zone changeover
- Individual zone fan control
- Emergency Heat is selected through the thermostat
- Compatible with supply air sensor and discharge air temperature sensor

Kit Includes	Stages	# of Zones	Network Zoning	LED's	Heat Pump Compatible	Brand	Part Number
(2) TH9421C1004 Thermostats W8835A1004 Interface Module C7089U1006 Outdoor Sensor AT140A1042 Transformer C7835A1009 Communicating Sensor	3 Heat 2 Cool	2	Yes	Yes	Yes	Honeywell	Y8835A1044
(3) TH9421C1004 Thermostats W8835A1004 Interface Module C7089U1006 Outdoor Sensor AT140A1042 Transformer C7835A1009 Communicating Sensor	3 Heat 2 Cool	3	Yes	Yes	Yes	Honeywell	Y8835A1028



EnviraCOM™ 3 Wire Control Accessories

Damper Interface Module - 3 Zone (Use with the W8835A EnviraZone® Control Panel)



- Expands the capacity of the W8835A EnviraZone Control Panel by three zones
- Individual zone fan control

Network Zoning	LED's	Heat Pump Compatible	Use With	Brand	Part Number
Yes	Yes	Yes, use with W8635B Equipment Interface Module or W8835A Panel	Up to three TH9421C Programmable Thermostats and a W8835A Zone Panel	Honeywell	W8703A1003

EnviraCOM™ Serial Adapter (Use with the W8835A EnviraZone® Control Panel)



- Allows user to control Honeywell EnviraCOM Communicating Thermostat, EnviraZone Systems and other HVAC products by using any manufacturers RS-232 compatible home automation control system
- Provides local access to an EnviraCOM HVAC system through a host computer, gateway or controller. The host provides the application to control this adapter and the HVAC equipment.
- Uses standard DB-9 connector
- Powered through EnviraCOM bus; no external power source required
- Uses true RS-232 signals, universally compatible
- Can be used with W8735D Telephone Access Module
- Optional Accessories: W8703A Damper Interface Module, W8835A EnviraZone Panel & C7089U Outdoor Temperature Sensor

Terminal Designations	Used With	Required Accessories	Brand	Part Number
1, 2, 3 - EnviraCOM RS232 - Serial Port	VICARWORKS™, CRESTRON™, CORACCESS™, PREMISE SYSTEMS™, Personal Computer or other user interfaces	W8635A or W8635B Equipment Interface Module & TH9421C Programmable Thermostat	Honeywell	W8735A1005

Equipment Interface Modules (Use with the W8735A EnviraCOM™ Serial Adapter)



- Provides 24VAC control of single or multi-stage HVAC equipment when used with the TH9421C IAQ Programmable Thermostat
- Uses EnviraCOM communications protocol
- Individual zone fan control
- Compatible with Discharge Air Temperature Sensor

Stages	# of Zones	Network Zoning	LED's	Heat Pump Compatible	Used With	Brand	Part Number
Up to 2H/2C Conventional	Single or Multi-Zone	Yes	Yes	Yes	W8735A EnviraCOM Serial Adapter & TH9421C Programmable Thermostat	Honeywell	W8635A1006
Up to 2H/1C Heat Pump	Single or Multi-Zone	Yes	Yes	Yes		Honeywell	W8635B1004

Honeywell

EnviraCOM™ 3 Wire Control Accessories

Telephone Access Module (Use with the W8835A EnviraZone® Control Panel)



- Provides remote telephone access to the HVAC system when used with an EnviraCOM enabled thermostat. These thermostats are used with EnviraCOM enabled controls.
- Supports up to four independent EnviraCOM channels for a maximum of 36 zones per W8735D (9 zones per channel when using zone panels)
- Works with any EnviraCOM enabled controls to communicate current status and alert information
- Provides remote telephone access to check or change thermostat settings (i.e. heat, cool, auto or off)
- Provides remote telephone access to check current indoor and outdoor temperatures and indoor humidity
- Reports alert messages on high or low indoor/outdoor temperature, high or low humidity, low battery, auxiliary input sensor tripped, pass code change, air filter change required, system alerts and power outage
- Prioritize alters to specify the time of day that the TAM will dial out
- Emergency drop call feature
- Up to three telephone numbers can be programmed for alert messaging
- Auxiliary sensor input for use with an optional N.C. sensor contact
- Auxiliary output for local alert enunciation
- Communication and Battery LED's

Network Zoning	Number of Zones	Used With	Brand	Part Number
Yes	9 zones per channel, 2 channels 18 total zones	<ul style="list-style-type: none"> • TH9421C VisionPRO IAQ Total Home Comfort System & W8835A EnviraZone for zoned systems • W8635A & W8635B Equipment Interface Modules • W8703 Damper Interface Module • THM5421C1008 VisionPRO Equipment Interface Module for single zone applications • TH5320C1002 FocusPRO EnviraCOM thermostat for zoning applications • T8635L Microelectronic Communicating Programmable thermostat • Any EnviraCOM generating product like R7184U oil primary and L7224U Aquastat controls 	Honeywell	W8735D1009

Honeywell

Zoning - Thermostats

Conventional Zoning Thermostats for 1H/1C, 2H/2C & 3H/2C (expandable) Systems



Description	Part Number
Non-Programmable - 24 Volt, Digital, White	
FocusPRO 5000, 1H/1C, Standard Display	TH5110D1006
FocusPRO 5000, 1H/1C, Large Display	TH5110D1022
FocusPRO 5000, 2H/2C, Large Display	TH5220D1003
Programmable - 24 Volt, Digital, White	
FocusPRO 6000, 1H/1C, 5-1-1 Day, Large Display	TH6110D1021
VisionPRO 8000, 1H/1C, 7 Day, Touchscreen	TH8110U1003
FocusPRO 6000, 2H/2C, 5-1-1 Day, Large Display	TH6220D1028
VisionPRO 8000, 2H/2C, 7 Day, Touchscreen	TH8320U1008
VisionPRO 8000, 2H/2C, 7 Day, Touchscreen, with Dehumidification Control	TH8321U1006
Programmable Wireless Thermostat (24 Volt, Digital, White) & Receiver	
Chronotherm IV Plus RF Wireless Thermostat, up to 3H/2C via Zone Panel, 7 Day Use with W866E1000 Receiver Module (below)	T8665A1002
Radio Frequency (RF) Wireless Receiver controls up to 3 Zones, up to 3H/2C via Zone Panel, White Use with T8665A1002 Thermostat (above)	W8665E1000

EnviraCom™ 3 Wire Control Zoning Thermostat



Description	Part Number
Programmable - 24 Volt, Digital, White	
VisionPRO IAQ, 4H/2C, 7 Day, Large Display	TH9421C1004



Zoning - Dampers

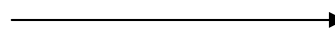
Automatic Round Damper - ARD Series - 24VAC



- Round zone damper with 24 Volt, spring return damper motor used to control volume of circulating air in heating, cooling and ventilation systems
- Galvanized steel
- Single blade damper
- 2 wires to motor
- Motor Timing: 30 seconds energized, 10 seconds de-energized
- Can be field converted to power open/spring return closed damper when used as an independent zone or for fresh air intake
- Blade closes off tightly against gasket for minimal leakage
- Rated to operate up to 1 in. wc.
- Motor: M847D

Size	Shape	Motor Mount	Motor Type	Used With	Brand	Part Number
6"	Round	Top; Side	Power Closed / Spring Open, Reversible	Honeywell Zoning Systems	Honeywell	ARD6
8"	Round	Top; Side	Power Closed / Spring Open, Reversible		Honeywell	ARD8
10"	Round	Top; Side	Power Closed / Spring Open, Reversible		Honeywell	ARD10
12"	Round	Top; Side	Power Closed / Spring Open, Reversible		Honeywell	ARD12
14"	Round	Top; Side	Power Closed / Spring Open, Reversible		Honeywell	ARD14
16"	Round	Top; Side	Power Closed / Spring Open, Reversible		Honeywell	ARD16
18"	Round	Top; Side	Power Closed / Spring Open, Reversible		Honeywell	ARD18
20"	Round	Top; Side	Power Closed / Spring Open, Reversible		Honeywell	ARD20

See Next Page for Rectangular ZD Series Damper
Power Open/Power Closed Dampers Available



Honeywell

Zoning - Dampers

Damper - ZD Series - 24VAC

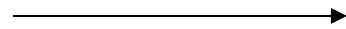


For dampers with the motor mounted on the bottom, invert the part number.
Example: ZD10X8 would be ZD8X10.
Motor is always mounted on the 2nd dimension.

- Power-close/spring-open zone damper with a 24 Volt, spring-return/power-closed damper motor used to control circulating air in heating, cooling and ventilation systems
- Use when a normally open damper is required
- Typically used with TotalZone® Systems and other electronic mini-zone damper systems
- Kevlar gearing reduces wear, more than doubling damper life
- Adjustable range stops
- Mechanical visual position indicator for damper status
- Solid construction using extruded aluminum frame and blades
- Parallel blade design for low leakage performance
- Quieter operation with fewer blades
- 2 wires to motor
- Motor Timing: 30 seconds energized, 10 seconds de-energized
- Fail safe, normally open operation
- Compatible with conventional and networked zoning
- Damper can be installed in any orientation (mounting side can be on either the bottom or the side of the duct)
- Motor: M847D

Size	Shape	Motor Mount	Motor Type	Used With	Brand	Part Number
10" x 8"	Rectangular	Side	Power Closed / Spring Open	Honeywell Zoning Systems	Honeywell	ZD10X8
12" x 8"	Rectangular	Side	Power Closed / Spring Open		Honeywell	ZD12X8
14" x 8"	Rectangular	Side	Power Closed / Spring Open		Honeywell	ZD14X8
16" x 8"	Rectangular	Side	Power Closed / Spring Open		Honeywell	ZD16X8
18" x 8"	Rectangular	Side	Power Closed / Spring Open		Honeywell	ZD18X8
20" x 8"	Rectangular	Side	Power Closed / Spring Open		Honeywell	ZD20X8
24" x 8"	Rectangular	Side	Power Closed / Spring Open		Honeywell	ZD24X8
20" x 10"	Rectangular	Side	Power Closed / Spring Open		Honeywell	ZD20X10

See Next Page for Rectangular ZD Series Damper
Power Open/Power Closed Dampers Available



Honeywell

Zoning - Bypass Dampers

Static Pressure Regulating Damper - SPRD Series - 24VAC



- Single blade, steel barometric damper used to bypass excess air when majority of zone dampers are closed
- Recommended for low pressure systems with less than 0.5 in. wc.
- Counter-balanced weighted arm to control bypass air for zoned systems
- Air pressure in duct system increases as zone dampers close, pushing the SPRD open automatically
- Arm and weight both adjustable to control amount of air bypassed
- Additional weights can be ordered separately

Size	Shape	CFM Range	Motor Type	Used With	Brand	Part Number
7"	Round	0 to 299	Weighted Damper Arm	Honeywell Zoning Systems	Honeywell	SPRD7
8"		300 to 399	Weighted Damper Arm		Honeywell	SPRD8
9"		400 to 599	Weighted Damper Arm		Honeywell	SPRD9
10"		600 to 799	Weighted Damper Arm		Honeywell	SPRD10
12"		800 to 1199	Weighted Damper Arm		Honeywell	SPRD12
14"		1200 to 1799	Weighted Damper Arm		Honeywell	SPRD14
16"		1800 to 2400	Weighted Damper Arm		Honeywell	SPRD16
12" x 8"	Rectangular	0 to 299	Weighted Damper Arm		Honeywell	SPRD12X8
12" x 10"		1000 to 1199	Weighted Damper Arm		Honeywell	SPRD12X10
12" x 12"		1200 to 1399	Weighted Damper Arm		Honeywell	SPRD12X12
20" x 8"		1400 to 1599	Weighted Damper Arm		Honeywell	SPRD20X8
20" x 10"		1600 to 1999	Weighted Damper Arm		Honeywell	SPRD20X10
20" x 12"		2000 to 3000	Weighted Damper Arm		Honeywell	SPRD20X12

Honeywell

Zoning Parts & Accessories

Damper Actuator - Spring Return - Two Position - Direct Mount - 24VAC



- Two position, spring return, low voltage actuator designed to operate the ARD and ZD zone dampers
- Equipped with anti-rotation and drive shaft extensions for direct mounting to 7/16" diameter coupling style dampers
- Adjustable range stops
- Electrical Connection: 2 wires
- Motor Timing: 30 seconds energized, 10 seconds de-energized
- **Includes: Anti-rotation and drive shaft extensions bag assembly to be compatible with ZD and ARD dampers**

Size	Motor Mount	Motor Type	Replaces	Used With	Brand	Part Number
3 1/2" H 2 3/8" W 3 3/8" D	Direct connection to damper shaft	Power open, Spring closed	RDMZ & RDMH damper actuators	ARD & ZD dampers	Honeywell	M847D1012

Discharge Air Temperature Sensors - 24VAC



- Duct mounted temperature probe used to provide capacity control of heating and cooling equipment
- When mounted in supply air duct, DATS senses delivered air temperature and cuts off heating or cooling when delivered air temperature goes above or below operating limits
- Compares discharge air temperature to room air temperature and when out of tolerance, issues alert
- Uses standard 18-22 gauge thermostat wire

Network Zoning	LED's	Heat Pump Compatible	Used With	Brand	Part Number
No	No	Yes	EMM-3, EMM-3U & TZ-4 Conventional Zoning Systems	Honeywell	C7735A1000
Yes	Yes	Yes	W8835A1004 Networked Zoning System	Honeywell	C7835A1009

Outdoor Temperature Sensor



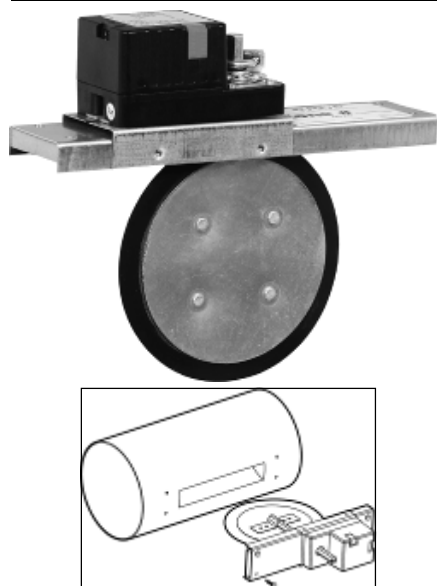
- Senses outdoor temperature for display on the VisionPRO® series thermostats
- Mounting clip allows easy sensor positioning on siding or soffit
- Factory calibrated, no field calibration required
- Maximum wire run of 200 feet

Includes	Used With	Brand	Part Number
60" lead wires, mounting clip & screws	VisionPRO® Series Thermostats	Honeywell	C7089U1006

Honeywell

Zoning Parts & Accessories

Retrofit Round Damper - RRD Series - 24VAC



- Easily inserted into rigid round ducts for retrofit zoning in forced air heating and cooling systems
- Easily Expandable: Actuator (power-open/power-closed) draws 2.5VA allowing up to 12 dampers per zone without a damper expansion module
- Damper has a 1/2" blade shaft
- Quiet, long life motor automatically shuts itself off in full open and closed positions
- Gaskets around blade and under motor housing for low internal leakage and very low external leakage
- Range stops with easy adjustment from top of motor
- Easy to see and reliable mechanical blade position indicator
- Simple manual blade positioning with push button gear release
- Easy hookup with conventional thermostat wire
- NEMA 1 and UL rated actuator
- Accessory Options: Wireless thermostat and module compatible with conventional zone panels

Size	Shape	Used With	Brand	Part Number
5"	Round	Honeywell Zoning Systems	Honeywell	RRD5
6"	Round		Honeywell	RRD6
7"	Round		Honeywell	RRD7
8"	Round		Honeywell	RRD8

Transformer - Universal Mount



- Accessory for zoning panels

Voltage	Brand	Part Number
120/240VAC Primary, 24VAC Secondary, 4VA	Honeywell	AT140A1042

Honeywell