

# Blowers

## Belt Drive Blowers - Double Inlet (Less Motor & Drive Package)



- For specific air volume and pressure requirements
- Blower wheel features an exclusive centre disc which safely allows speeds well above any normal requirement
- Housings have extruded holes to give greater holding power for mounting base sides and motor bracket
- High gloss finish, green baked enamel paint
- Matte finish zinc coated wheel and cut-off baffle
- Ball bearing
- For operation in ambient temperatures of -54 to 121C(-65 to 250F)
- Shafts have keywayed ends
- Quiet, trouble free operation
- Detachable base sides can be installed in any of four discharge positions
- Warranty: 1 year limited

Shaft Dia.	Wheel Dia.	Wheel Width	Weight lbs.	Brand	Part Number
<b>Ball Bearing</b>					
3/4"	8-1/16"	7-3/16"	17	Delhi	<b>G7BB</b>
3/4"	10-1/4"	7-3/16"	21	Delhi	<b>G9-7BB</b>
3/4"	11-9/16"	10-13/16"	28	Delhi	<b>G10BB</b>
3/4"	11-1/8"	8-1/16"	25	Delhi	<b>G10-8BB</b>
3/4"	12-7/8"	12-13/16"	38	Delhi	<b>G12BB</b>

## Direct Drive Blowers - Double Inlet (With Motor & Drive Package)



- Comes with motor and drive package
- Warranty: 1 year limited

Shaft Dia.	Wheel Dia.	Wheel Width	Weight lbs.	Brand	Part Number
<b>Permanently Lubricated Sleeve Bearing</b>					
3/4"	10-1/4"	9-9/16"	23	Delhi	<b>G9-DD</b>

# DELHI

## Blowers

### Roof Exhauster (Less Motor & Drive Package)



- An economical and efficient general purpose roof exhauster for use in schools, hospitals, high rise apartments, commercial and industrial applications
- Quiet operation
- Rugged, vandal resistant galvanized steel cabinet
- Automatic gravity back draft damper and bird screen are included
- Blower equipped with ball bearings suitable for operation in ambient temperatures -54 to 121C (-65 to 250F)
- Easy servicing
- Square base allows discharge to be orientated in any of 4 directions
- Recessed base ensures weather proof mounting to curb
- Green baked enamel paint finish
- Warranty: 1 year limited

Shaft Dia.	Weight lbs.	Brand	Part Number
<b>Ball Bearing</b>			
3/4"	52	Delhi	<b>307</b>

### Exhausters - Single Inlet (Less Motor & Drive Package)



- Universal frame allows for choice of discharge position
- Multiple choice for mounting location with each discharge position
- Heavy duty ball bearings suitable for -54 to 121C (-65 to 250F)
- Warranty: 1 year limited

Wheel Dia.	Wheel Width	Weight lbs.	Brand	Part Number
<b>Ball Bearing</b>				
9-13/16"	7-3/16"	25	Delhi	<b>409</b>
11-1/8"	7-3/16"	28	Delhi	<b>410</b>

# DELHI

# Blowers

## Utility Blowers (With Motor)



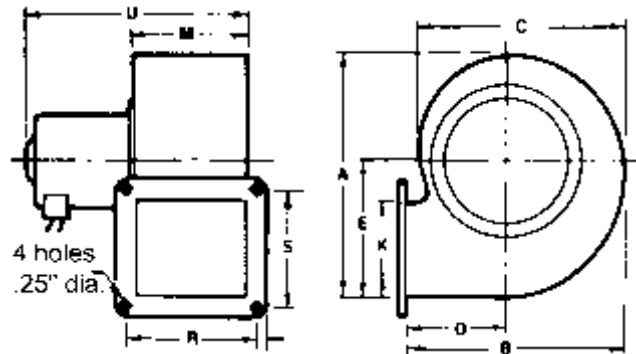
AMU525, AMU625, AMU845 & AMU1100

- Designed for use as air replacement and air make-up units
- For permanent installation applications
- Welded steel housing finished in grey enamel
- **AMU75, 130, 245 & 400 Features:**
  - Thermal overload protection
  - Conduit wiring box
  - Permanently lubricated bearings
  - Horizontal or vertical operation
  - CCW rotation drive side
- **AMU525, 625, 845 & 1100 Features:**
  - Automatic reset thermal protection
  - Sleeve bearings with oilers
  - 4 discharge positions
  - Inlet collars
  - CCW rotation drive side

A	B	C	D	E	K	M	R	S	U	Weight lbs.	Brand	Part Number
<b>Permanently Lubricated Bearings</b>												
5.34"	5.17"	4.68"	2.5"	3.02"	1.92"	2.75"	3.38"	2.88"	5.35"	3.75	Airdex	AMU75
7.59"	7.09"	6.58"	3.31"	4.3"	2.72"	3.75"	4.69"	3.75"	6.75"	4	Airdex	AMU130



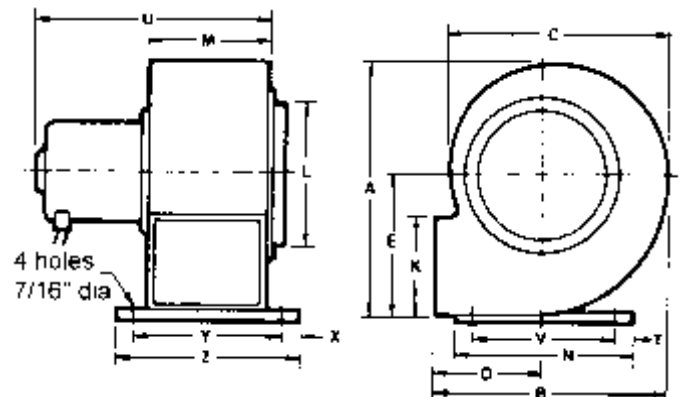
AMU75 & AMU130



A	B	C	D	E	K	L	M	N	T	U	V	X	Y	Z	Weight lbs.	Brand	Part Number
<b>Permanently Lubricated Bearings</b>																	
9.41"	8.73"	8.17"	4"	5.33"	3.36"	5"	4.75"	6"	.5"	9"	5"	.5"	5.75"	6.75"	8	Airdex	AMU245
10.61"	9.76"	9.24"	4.44"	6.01"	3.79"	6"	5.25"	6"	.5"	10.75"	5"	.5"	6.25"	7.25"	13	Airdex	AMU400



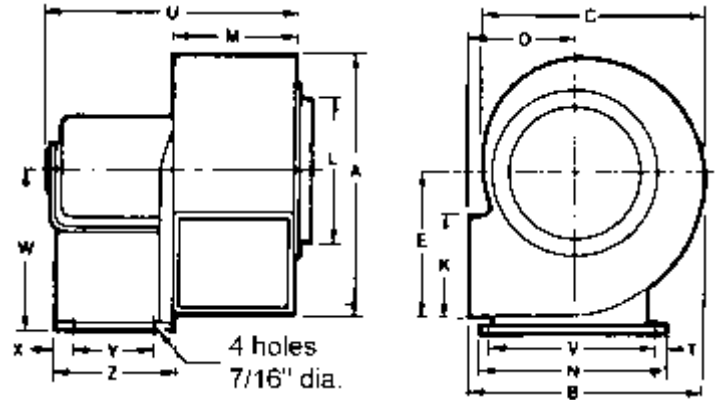
AMU245 & AMU400



# Blowers

## Utility Blowers (With Motor) - Continued

A	B	C	D	E	K	L	M	N	T	U	V	W	X	Y	Z	Weight lbs.	Brand	Part Number
<b>Sleeve Bearing with Oilers</b>																		
11.91"	10.85"	10.36"	4.88"	6.98"	4.24"	8"	5.5"	9"	.5"	13.6"	8"	7.23"	1"	5"	7.02"	24	Airdex	AMU525
11.91"	10.85"	10.36"	4.88"	6.98"	4.24"	8"	6"	9"	.5"	14.1"	8"	7.23"	1"	5"	7.02"	24	Airdex	AMU625
13.43"	12.19"	11.66"	5.44"	7.60"	4.76"	8"	6"	9"	.5"	14.8"	8"	7.85"	1"	5"	7.02"	30	Airdex	AMU845
16.58"	14.62"	14.06"	6.34"	9.51"	6.28"	9"	7"	9"	.5"	16.6"	8"	9.81"	1"	5"	7.02"	53	Airdex	AMU1100



## Blower Motor

Volts	Hz	RPM	Model
115	60	3000	AMU75
115	60	1550	AMU130
115	60	1550	AMU245
115	60	1550	AMU400
115	60	1725	AMU525
115	60	1725	AMU625
115	60	1725	AMU845
115	60	1140	AMU1100



# Blower Wheels

## G Series Blower Wheels - Single & Double Inlet



- Fits Delhi G series blowers

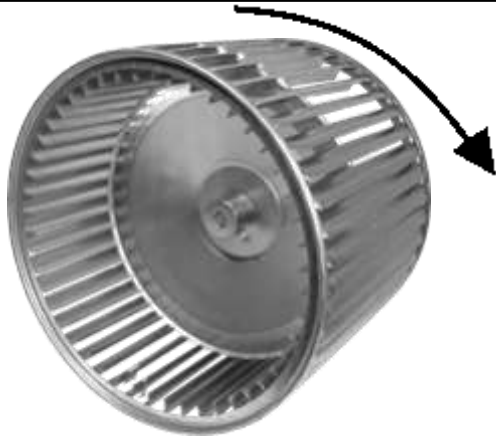
Outside Diameter	Width	Bore	Brand	Part Number
<b>Single Inlet Wheels</b>				
9 13/16"	7 3/16"	3/4"	Delhi	<b>409W</b>
11 1/8"	7 3/16"	3/4"	Delhi	<b>410W</b>
<b>Double Inlet Wheels</b>				
8 1/16"	7 3/16"	3/4"	Delhi	<b>G7W</b>
8 1/16"	7 3/16"	3/8"	Delhi	<b>G7W-DD</b>
9 13/16"	9 9/16"	1/2"	Delhi	<b>G9W-DD</b>
10 1/4"	7 3/16"	3/4"	Delhi	<b>G9-7W</b>
10 1/4"	9 9/16"	3/4"	Delhi	<b>G9W</b>
10 3/4"	8 1/16"	1/2"	Delhi	<b>G10-8W-DD</b>
11 1/8"	8 1/16"	3/4"	Delhi	<b>G10-8W</b>
10 3/4"	10 7/8"	1/2"	Delhi	<b>G10DDW</b>
11 9/16"	10 13/16"	3/4"	Delhi	<b>G10W</b>
12 7/8"	12 13/16"	3/4"	Delhi	<b>G12W*</b>

\* 1" bore available through special order

# DELHI

# Blower Wheels

## Blower Wheels - Single Inlet



Rotation viewed  
hub side

- Steel

Outside Diameter	Width	Rotation	Bore	Brand	Part Number
9"	7.5"	CW	1/2"	Frigidaire	<b>667294R</b>
9"	9"	CW	1/2"	Frigidaire	<b>667295</b>
10"	6"	CW	1/2"	Frigidaire	<b>667251R</b>
10"	6"	CW	1/2"	Frigidaire	<b>667375R*</b>
11"	10 1/2"	CW	1/2"	Frigidaire	<b>667207R</b>
11 1/8"	8"	CW	1/2"	Frigidaire	<b>667037R</b>
11 3/4"	10 5/8"	CW	1/2"	Frigidaire	<b>667280R**</b>
11"	8"	CW	1/2"	Frigidaire	<b>667374R**</b>
11 7/8"	8"	CW	1/2"	Frigidaire	<b>667258R</b>
10 3/4"	10 1/8"	CW	1/2"	Frigidaire	<b>667271R</b>
12 1/4"	10 11/16"	CW	1/2"	Frigidaire	<b>667277R</b>

\*Offset  
\*\* Convex

# FRIGIDAIRE

# Blower Replacement Parts

## Bearings



3/4RCR



Sleeve Bearing

Sleeve Bearing  
with oiler

Size	Fits	Description	Part Number
<b>Ball Bearings</b>			
3/4"	Delhi	With sleeve & collar	3/4RCR
1"	-	RCR, less sleeve, with collar (use 8860022 sleeve)	8100001
<b>Sleeve Bearings</b>			
5/8"	Lau	2 bearings with sleeves	67-4135-2
3/4"	Delhi	2 bearings with sleeves	67-4136-2
3/4"	Lau (Lennox)	2 bearings with sleeves	67-4137-2
3/4"	Torin R75	2 bearings with sleeves	67-4138-2
3/4"	-	2 bearings with sleeves	8100013
1"	-	2 bearings with sleeves	67-4146-2
1"	Lau	2 bearings with sleeves	67-4147-2
<b>Sleeve Bearings with Oiler</b>			
3/4"	Delhi	2 bearings with sleeves & oiler	67-4036-2
1"	Delhi	2 bearings with sleeves & oiler	67-4046-2

## Bearing Sleeves



Size	Description	Part Number
<b>For Ball Bearings</b>		
3/4"	Rubber Sleeve for RCR bearing	8860021
1"	Rubber Sleeve for RCR & 8100001 bearing	8860022
1"	Rubber Sleeve for RCSM bearing	8860023
<b>For Sleeve Bearings</b>		
3/4"	Rubber Sleeve	8860019
1"	Rubber Sleeve	8860020

# Blower Replacement Parts

## Brackets



2180001



608000 Series

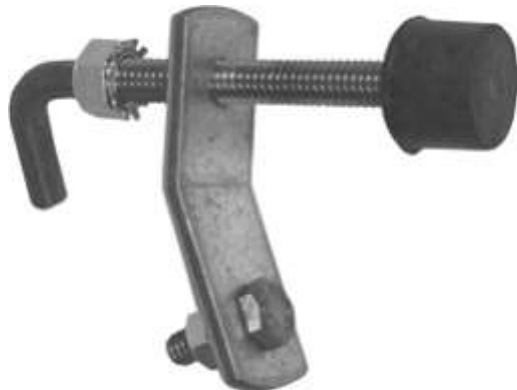
Size	Fits	Description	Part Number
-	G7	Motor Mounting Bracket, Fractional, 3/4 HP max	2180001
3/4"	G9	Bearing bracket	6080049
3/4"	G10	Bearing bracket	6080050
3/4"	G12	Bearing bracket	6080051
1"	G15	Bearing bracket	6080005

## Foot



Description	Part Number
Rubber Foot for Blower Installations	8860014

## Leg & Bumper



Description	Part Number
Motor Adjustment Leg, comes with bumper	7010001
Rubber bumper only	8860017



# Blower Replacement Parts

## Shafting - Pre-Cut



- Protective plastic end caps

Diameter	Length	Part Number
3/4"	12"	6527042
3/4"	14"	6527052
3/4"	16"	6527062
3/4"	16 5/8"	6527112
3/4"	18"	6527072
3/4"	20"	6527082
3/4"	22"	6527092
3/4"	24"	6527102
3/4"	36"	67-63600
1"	24"	67-82400
1"	36"	67-83600

## Shafting - Bulk



- Can be cut to meet your specific needs

Diameter	Part Number
7/8"	BS7/8

## Thrust Collars & Washers



Thrust Collar



Thrust Washer

Size	Description	Part Number
3/4"	Thrust Collar	6000021
1"	Thrust Collar	6000030
3/4"	Thrust Washer	8860005
1"	Thrust Washer	8860006

