

Spark Generators

Ignition Transformer - Solid State Spark Generator



- Lightweight solid state spark generator (ignitor) for use on commercial and industrial gas burners
- For use only in interrupted ignition applications
- Ignites interrupted gas pilots with ignition electrode spacing between:
Q652B1006: 0.029" to 0.125" (0.7 to 3.2 mm)
Q652B1014: 0.12" to 0.18" (3 to 4.5 mm)
- 14,000 output peak voltage for reliable light-off
- Mounts in the same space used by conventional ignition transformer
- Withstands 90% relative humidity at 104°F (40°C)
- Includes single high voltage electrode for gas applications
- Meets UL requirements for radio frequency interference (RFI)
- Weight: 1 pound
- Rajah and screw connectors
- Prevents detection of the ignition spark when properly applied in a flame detection system with the C7027, C7035 or C7044 Minipeeper Ultraviolet Flame Detector or C7061 Dynamic Self Check Ultraviolet Flame Detector

Volts, Frequency	Spark Gap	Duty Cycle	Secondary Open Circuit Voltage	Brand	Part Number
120 VAC, 60 Hz	0.029" to 0.125" (0.7 to 3.2 mm)	20%; 45 seconds on / 180 seconds off	10,000 equivalent RMS	Honeywell	Q652B1006
220 VAC, 60 Hz	0.12" to 0.18" (3 to 4.5 mm)	33%; 60 seconds on / 120 seconds off	10,000 equivalent RMS	Honeywell	Q652B1014

Ignition Transformer - Solid State Spark Generator



- Solid state spark generator (ignitor) for use on commercial and industrial gas burners
- For use only in interrupted ignition applications
- Ignites interrupted gas pilots with ignition electrode spacing up to 1/4" (6 mm) in length
- 15,000 output peak voltage for reliable light-off
- Mounts in the same space used by conventional ignition transformer
- Mounting holes are the same as standard transformers, no adapter plate needed
- Withstands 95% relative humidity at 125°F (52°C)
- Includes threaded terminal nut for high voltage electrode
- UL Recognized
- Weight: 3 pounds
- Prevents detection of the ignition spark when properly applied in a flame detection system with the C7027, C7035 or C7044 Minipeeper Ultraviolet Flame Detector or C7061 Dynamic Self Check Ultraviolet Flame Detector

Volts, Frequency	Spark Gap	Max High Voltage Lead Length	Secondary Open Circuit Voltage	Brand	Part Number
120 VAC, 60 Hz	1/4" (6 mm)	15' (4.6 m)	15,000 ± 500	Honeywell	Q624A1014

Honeywell

Spark Ignitors

Spark Ignitors

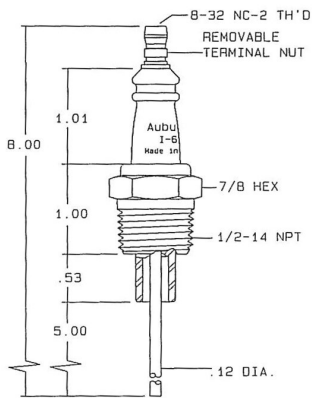


I-31-1

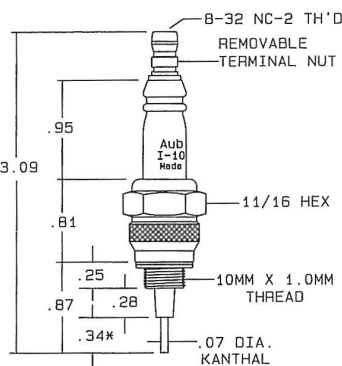


Description	Length	Brand	Part Number
1/2" NPT mounting thread	8"	Auburn	I-6
10mm x 1.0mm thread	3.09"	Auburn	I-10-30
1/2" NPT mounting thread	12.43"	Auburn	I-18
14mm x 1.25mm thread	3.68"	Auburn	I-31
14mm x 1.25mm thread	4.17"	Auburn	I-31-1
3/4" NPT mounting thread	7.14"	Auburn	I-90-1
10mm x 1.0mm thread	3.2"	Auburn	I-101

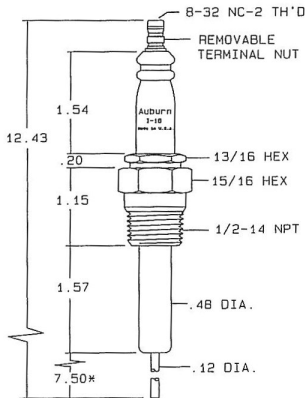
Cross Reference		
Auburn	Champion	Westwood
I-6	OP-9	E5-I-6
I-10-30	-	E5-I-10-30
I-18	OP-10	E5-I-18
I-31	F121510	E5-I-31
I-31-1	F121508	E5-I-31-1
I-90-1	-	E5-I-90-1
I-101	UY-6, P5007	E5-I-101



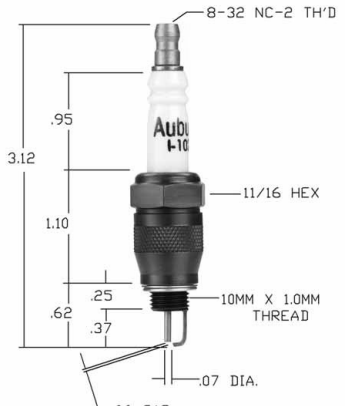
I-6



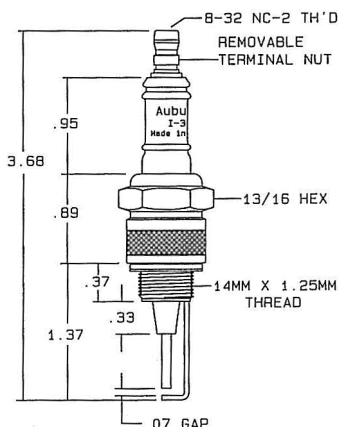
I-10-30



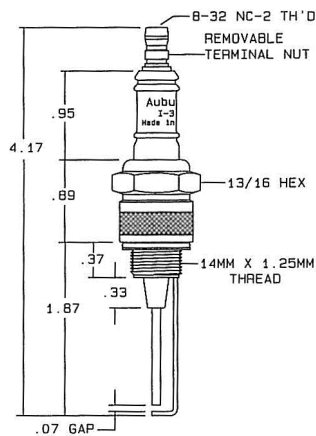
I-18



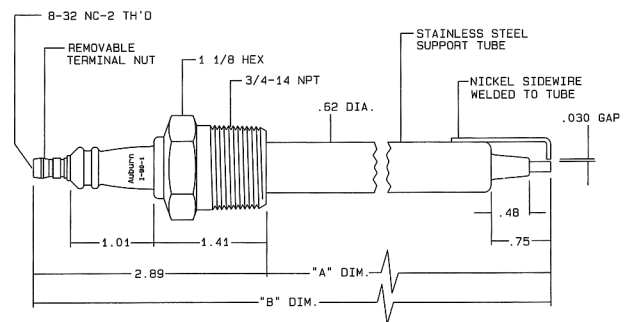
I-101



I-31



I-31-1



I-90-1